

# BRAVO SNORKEL



## VOLKSWAGEN T5

YEAR: 2003 - On.

REF: SVT6

FITMENT SIDE: Right

### LINEAR LOW DENSITY POLYETHYLENE RESINE



LL 8446 is a linear low density butene copolymer designed to offer excellent processability, whiteness, and fast grinding rate. This UV stabilized resin is ideally suited for applications that require excellent dimensional control and low warpage.

### PROPERTIES

#### Additive

Long Term UV-8 Stabilizer

#### Density

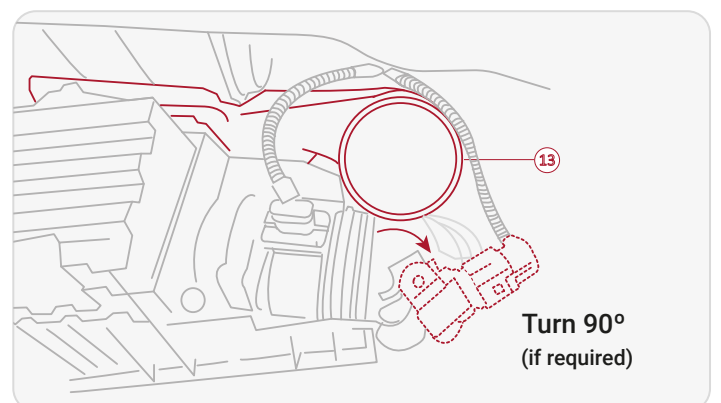
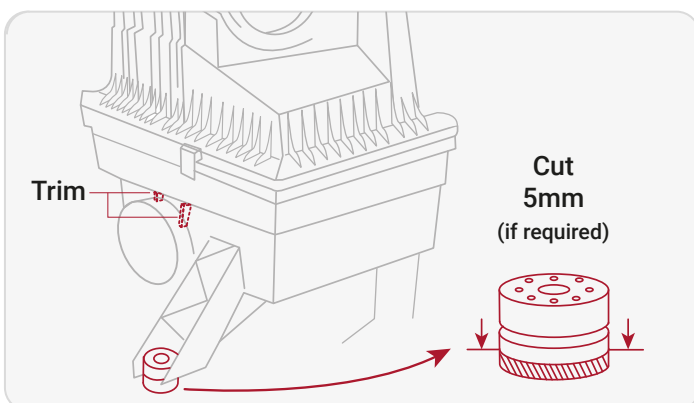
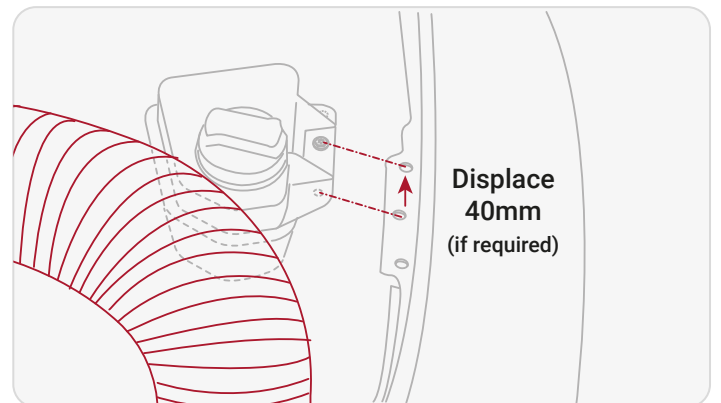
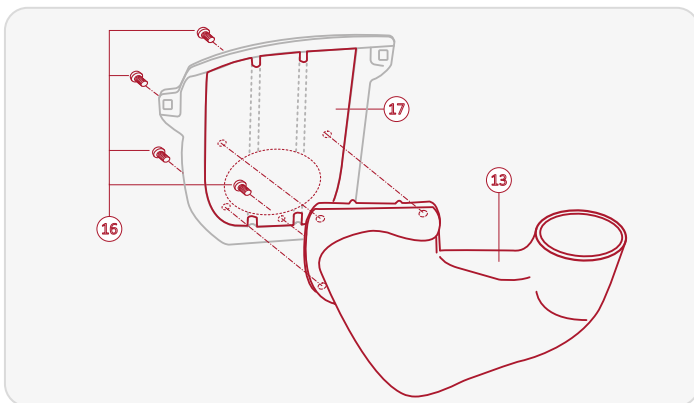
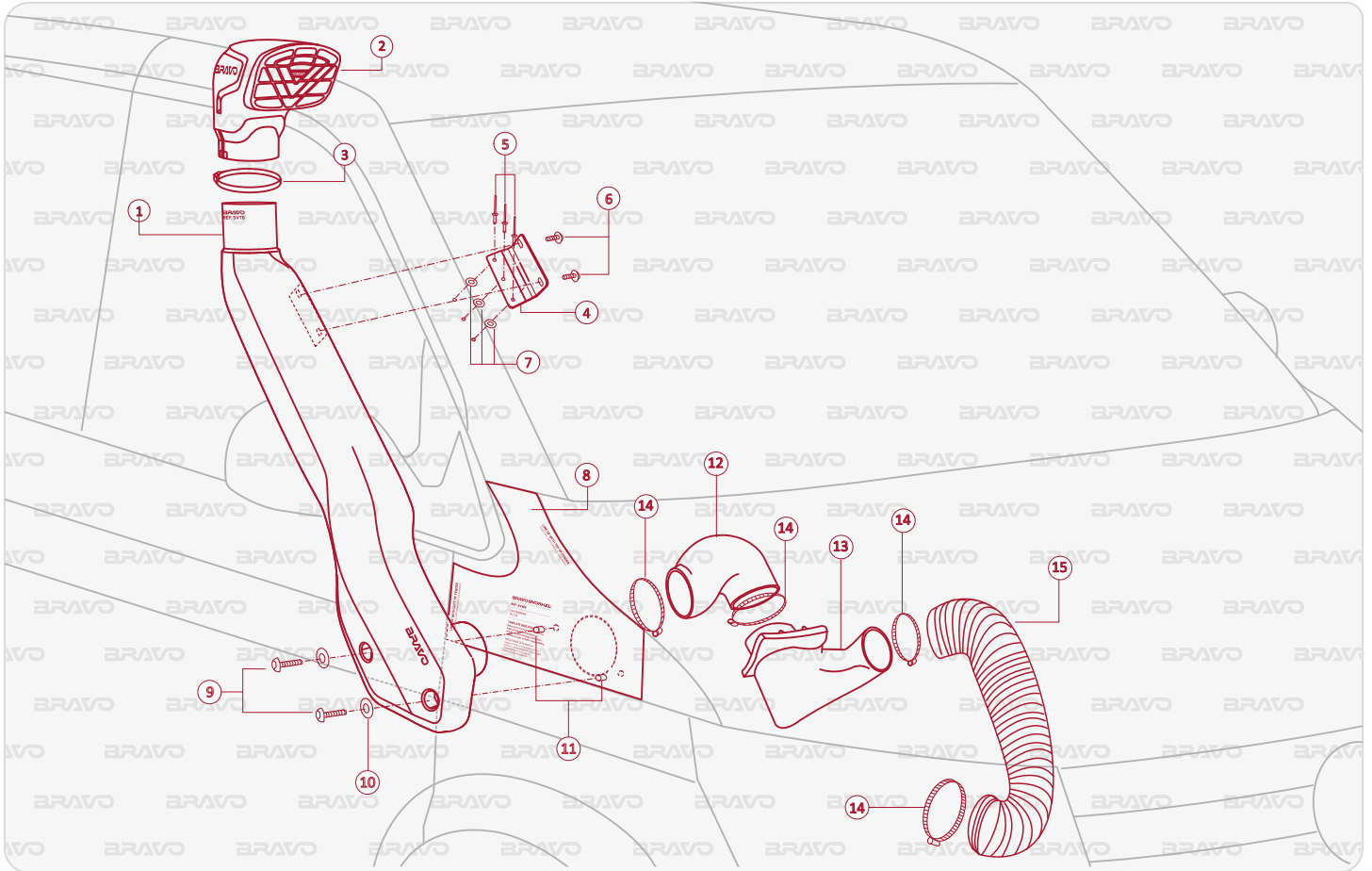
0.936 g/cm<sup>3</sup> (Based on ISO 1183)

#### Melt Index (190°/2.16 Kg)

5.0 g/10min (Based on ISO 1183)

PART	DESCRIPTION	QTY
1	Snorkel body	x1
2	Snorkel head 89 mm / 3,5"	x1
3	Black clamp	x1
4	Bracket	x1
5	Rivet 4,8 x 10 mm	x3
6	Allen bolt M6 x 12 mm	x2
7	Rubber washer M5 x 14 mm	x3
8	Installation template	x1
9	Allen screw M6 x 30mm	x2
10	Washer M6 x 20 mm	x2
11	Rivnut M6 x 14 mm	x2
12	Rubber duct connecting	x1

PART	DESCRIPTION	QTY
13	PE duct connecting R	x1
14	Clamp 90 - 110 mm	x4
15	Flex hose 89 mm / 300 - 950 mm	x1
16	Allen bolt M5 x 6 mm	x4
17	Inner cutting template	x1



Airbox connection adapting may be required - Installation process is under installer's responsibility.