

# BRAVO SNORKEL



## MITSUBISHI PAJERO / MONTERO

VARIANT: V80 / V90 (2007 - 2021)

REF: SMM8

FITMENT SIDE: Right

### LINEAR LOW DENSITY POLYETHYLENE RESINE



LL 8446 is a linear low density butene copolymer designed to offer excellent processability, whiteness, and fast grinding rate. This UV stabilized resin is ideally suited for applications that require excellent dimensional control and low warpage.

### PROPERTIES

**Additive**

Long Term UV-8 Stabilizer

**Density**

0.936 g/cm<sup>3</sup> (Based on ISO 1183)

**Melt Index (190°/2.16 Kg)**

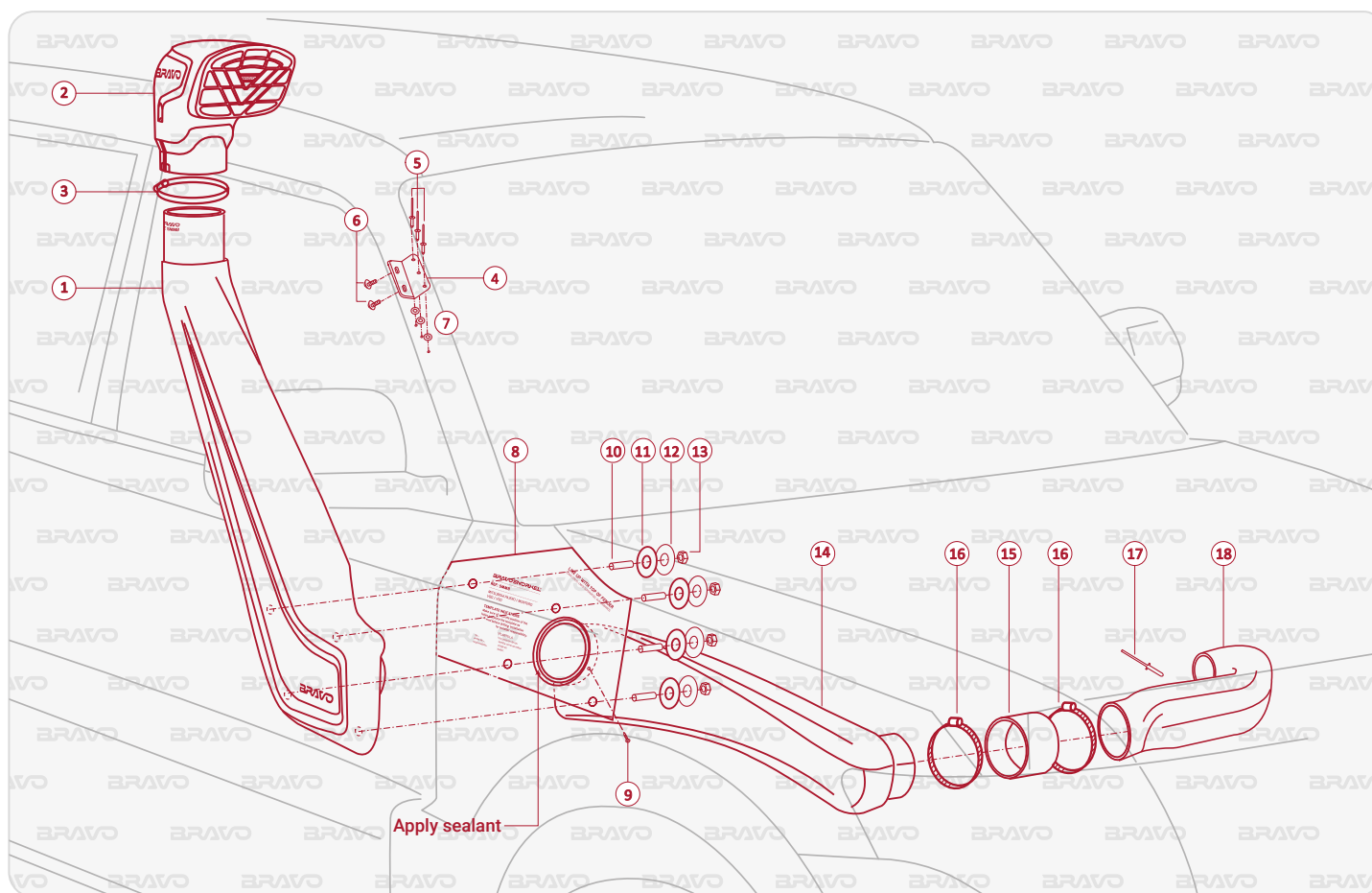
5.0 g/10min (Based on ISO 1183)

PART	DESCRIPTION	QTY
1	Snorkel body	x1
2	Snorkel head	x1
3	Black clamp	x1
4	Bracket	x1
5	Rivet 4,8 x 10 mm	x3
6	Allen bolt M6 x 12 mm	x2
7	Rubber washer M5 x 14 mm	x3
8	Fender template	x1
9	Screw M4 x 12 mm	x1
10	Bolt M8 x 25 mm	x4
11	Rubber washer M8 x 30 mm	x4
12	Washer M8 x 30 mm	x4

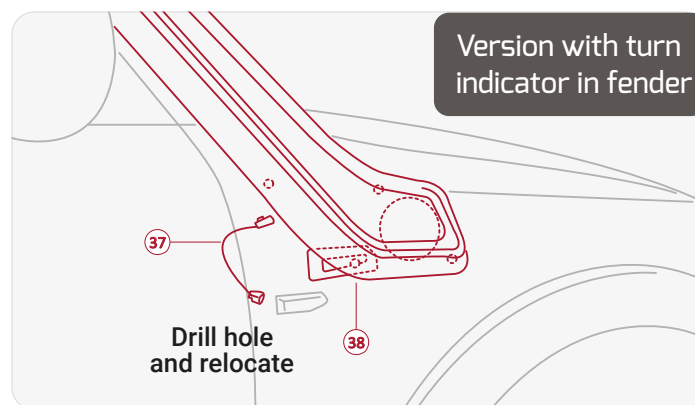
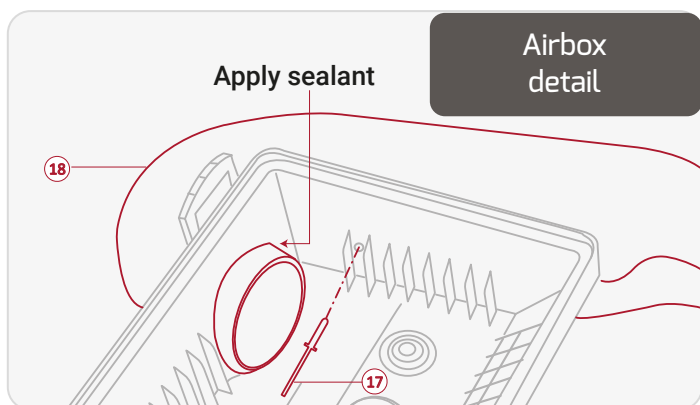
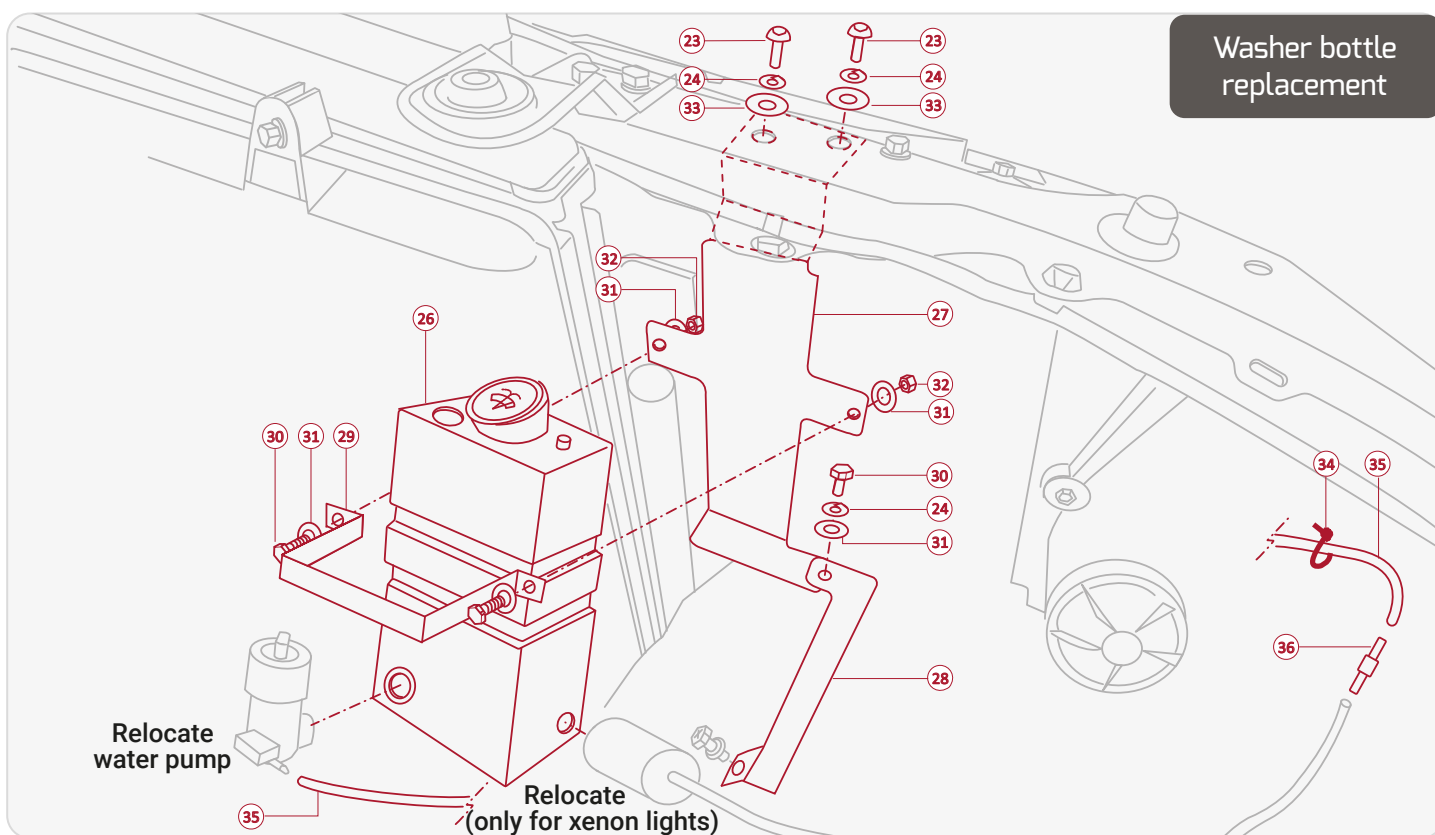
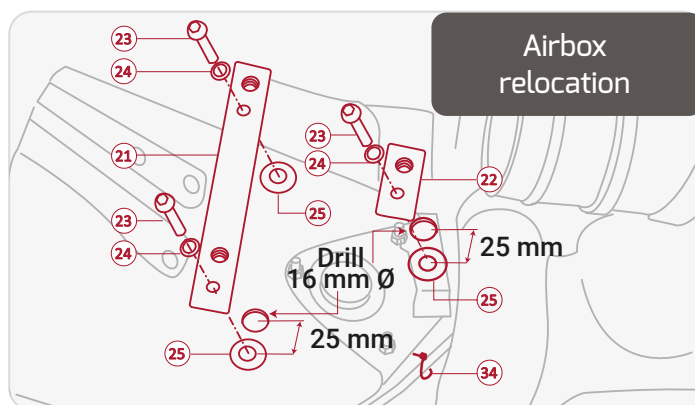
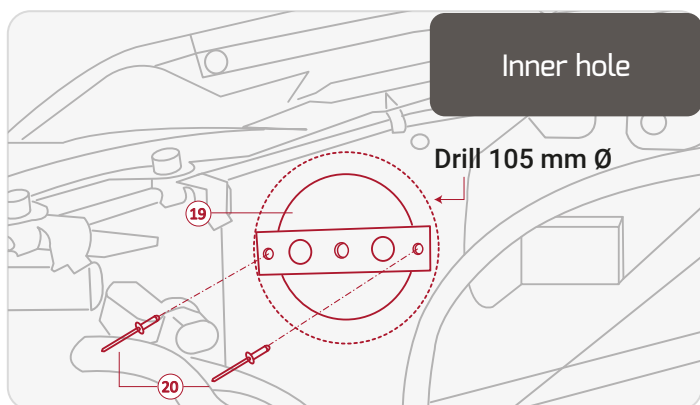
PART	DESCRIPTION	QTY
13	Nut-nyloc M8 x 13 mm	x4
14	PE duct connecting	x1
15	Rubber hose 89 mm ID x 40 mm	x1
16	Clamp 80 - 100 mm	x2
17	Waterproof rivet 4 x 12,5 mm	x1
18	PE duct connecting	x1
19	Hole saw centre position plate	x1
20	Rivet 4,8 x 16 mm	x2
21	Air cleaner relocation bracket	x1
22	Air cleaner relocation bracket	x1
23	Allen bolt M6 x 30 mm	x5
24	Grower washer M6 x 12 mm	x6

PART	DESCRIPTION	QTY
25	Washer M8 x 18 mm	x3
26	Washer bottle	x1
27	Washer bottle mounting bracket	x1
28	Washer bottle support	x1
29	Washer mounting clamp	x1
30	Hex bolt M6 x 14 mm	x3
31	Washer M6 x 14 mm	x5

PART	DESCRIPTION	QTY
32	Nut - nyloc M6 x 10 mm	x2
33	Washer M6 x 18 mm	x2
34	Cable tie 100 mm	x8
35	Windscreen washer hose 1300 mm	x1
36	Straight conector	x1
37	Wire extension	x1
38	Metal plate	x1



Installation process is under installer's responsibility.



Installation process is under installer's responsibility.