

BRAVO SNORKEL®



FORD RANGER

VARIANT: RAPTOR (2023 -) Petrol

REF: SFRV

FITMENT SIDE: Right

LINEAR LOW DENSITY POLYETHYLENE RESINE



LL 8446 is a linear low density butene copolymer designed to offer excellent processability, whiteness, and fast grinding rate. This UV stabilized resin is ideally suited for applications that require excellent dimensional control and low warpage.

PROPERTIES

Additive

Long Term UV-8 Stabilizer

Density

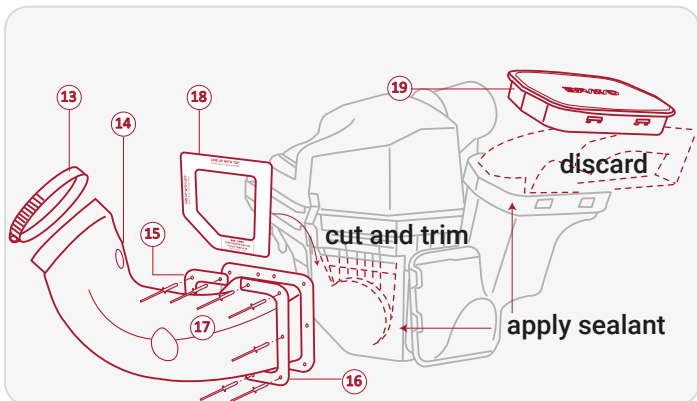
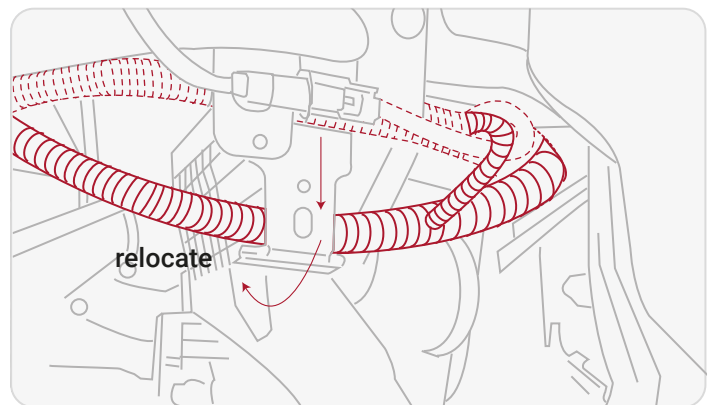
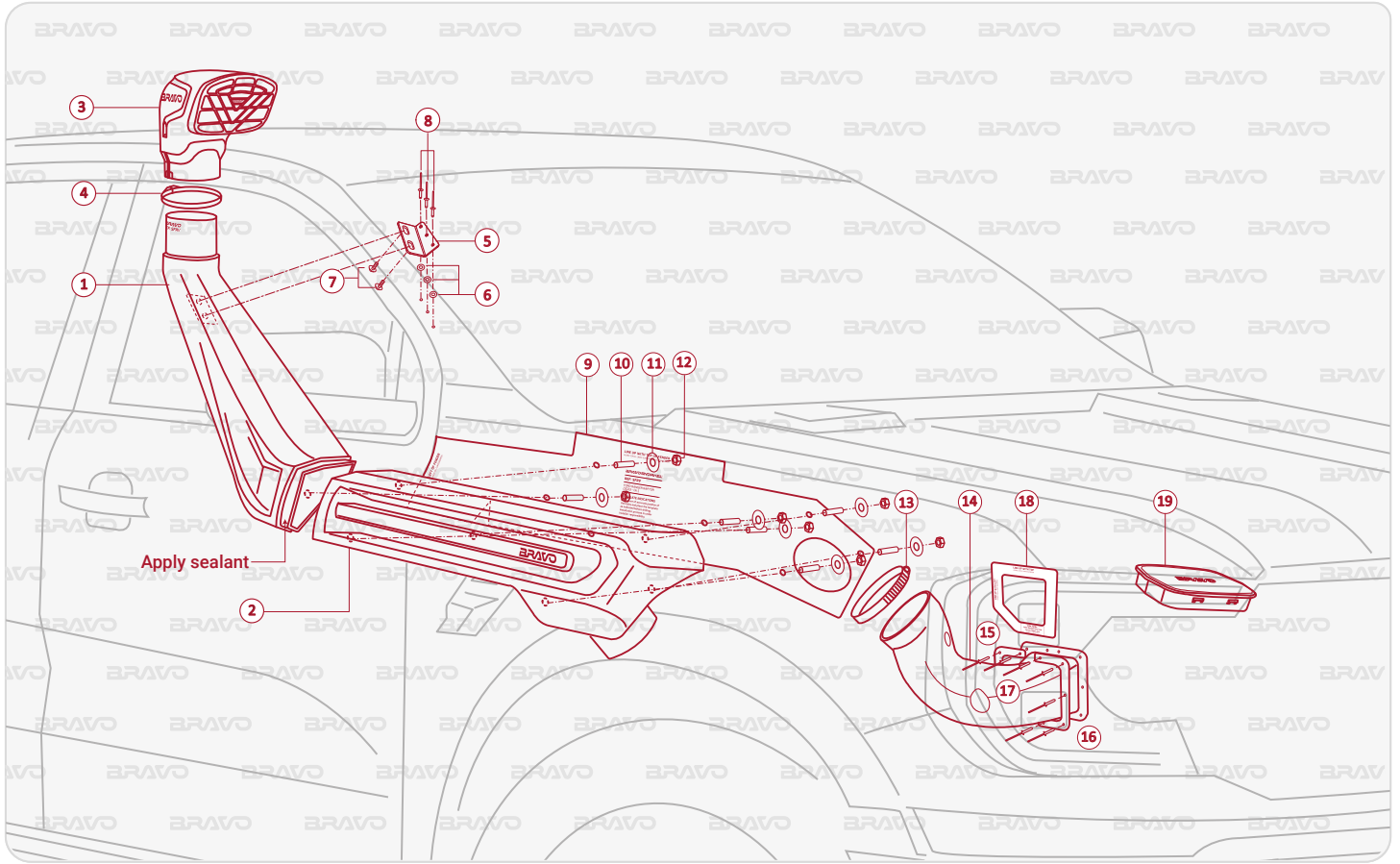
0.936 g/cm³ (Based on ISO 1183)

Melt Index (190°/2.16 Kg)

5.0 g/10min (Based on ISO 1183)

PART	DESCRIPTION	QTY
1	Snorkel upper body	x1
2	Snorkel lower body	x1
3	Snorkel head 89 mm / 3,5"	x1
4	Black clamp	x1
5	Bracket	x1
6	Rubber washer M5 x 14 mm	x3
7	Allen bolt M6 x 12 mm	x2
8	Rivet 4,8 x 10 mm	x3
9	Fender template	x1
10	Bolt M8 x 25 mm	x7
11	Washer M8 x 30 mm	x7
12	Nut - nyloc M8 x 13 mm	x7

PART	DESCRIPTION	QTY
13	Clamp 90 - 110 mm	x1
14	Rubber duct connecting Petrol	x1
15	Left side metal bracket	x1
16	Right side metal bracket	x1
17	Waterproof rivet 4 x 15 mm	x9
18	Cutting filter template	x1
19	Air inlet cap	x1



Installation process is under installer's responsibility.